



DECLARAÇÃO

A ALFA LAVAL em Portugal, atesta que o equipamento da marca ALFA LAVAL – ALFA BLUE JUNIOR e modelo DGS401AS4 BO AL 2.1 CU BLOWING THROUGH foi concebido de acordo com as Normas Europeias em vigor 97/23/CE, conforme demonstrado em Certificado n.º TIS-PED-VI-09-07-000239-3658 REV.1, emitido pela entidade TÜV ITALIA Srl. INDUSTRIE SERVICE, em anexo.

Algés, 22 de Julho de 2011


ALFA LAVAL PORTUGAL, LDA
Rua Dr. António Loureiro Borges, 9 6.º
ARQUIPARQUE - 1495-131 ALGÉS
Tel. 21 41462001 Fax 21 41462446
E-mail: 507 516 883

ALFA LAVAL PORTUGAL

Director Comercial



Italia

CERTIFICATO CERTIFICATE

**Controllo di fabbricazione interno e sorveglianza della verifica finale
(Modulo A1)**

secondo direttiva 97/23/CE

*Internal manufacturing checks with monitoring of the final assessment (Module A1) according to
Directive 97/23/EC*

Certificato No.: TIS-PED-VI-09-07-000239-3658 Rev. 1

Certificate No.: TIS-PED-VI-09-07-000239-3658 Rev. 1

Nome ed indirizzo del produttore: ALFA LAVAL S.P.A.

Name and postal address of manufacturer: **Via delle Albere 5
I-36045 ALONTE (VI)**

**Previo esame dei prerequisiti, il costruttore è autorizzato a fornire l'attrezzatura a
pressione nell'ambito dell'esame del marchio CE e del nostro numero identificativo
come illustrato:**

*After examination of the prerequisites the manufacturer is authorized to provide his pressure equipment
manufactured within the scope of the examination with the EC-Mark and our identification number as illustrated:*

CE 0948

Rapporto di collaudo No.:
Test report No.:

**R-TIS-PED-VI-09-07-000239-5161 e/and
R-TIS-PED-VI-09-12-000239-5560**

Campo di validità:
Scope of examination:

**Scambiatori di calore a pacco alettato come da
allegato 1 saldati da sub fornitore CFI S.r.l. di
Alonte (VI).
Finned coils as per attached 1 welded by sub
supplier CFI S.r.l. Alonte (VI).**

Officina di produzione:
Manufacturing plant:

**ALFA LAVAL S.P.A.
I - 36045 ALONTE (VI)**

Vicenza, 2009-12-16



**TÜV ITALIA Srl
Organismo Notificato PED dir. 97/23/CE**

Paolo Marcone
Paolo Marcone

*Pregasi osservare le note sul retro.
Please see remarks on reverse.*

**Organismo Notificato No. 0948
Notified Body, identification No. 0948**



Italia

Attachment n° 1 Rev.0 to Certificate TIS-PED-VI-09-07-000239-3658
(2009-07-30)

| | | UNIT |
|-------------------|--------------------------------|----------------------|
| UNIT COOLERS | <u>CUBIC LINE</u> | |
| | SLIM | SGL, SBL |
| | COMPACT | CGL |
| | ALFACUBIC | BL E, GL E, RL E, |
| | ALFACUBIC | BL W, GL W, RL W, |
| | AIR MAX II | ILG E, ILR E, ILB E |
| | AIR MAX II | ILG W, ILR W, ILB W |
| | <u>CEILING/DUAL DISCHARGE</u> | |
| | TOP | TGL E, TBL E |
| | TOP | TGL W, TBL W |
| | BFG/B | BFG E, BFB E |
| | BFG/B | BFG W, BFB W |
| | TFG | TFG E |
| | TFG | TFG W |
| | BIG TOP | ITR E, ITB E |
| | BIG TOP | ITR W, ITB W |
| | <u>CENTRIFUGAL UNIT COOLER</u> | |
| | CENTRIFUGAL UNIT COOLER | ISC E |
| | CENTRIFUGAL UNIT COOLER | ISC W |
| | <u>BAST FREEZERS</u> | |
| | ALFABLAST | AB E |
| | <u>ALFATOP</u> | |
| | ALFATOP | AT E |
| ALFATOP | AT W | |
| CONDENSERS | <u>ALFABLUE</u> | |
| | AB SINGLE ROW | BCM T/S/L/Q/R |
| | AB DOUBLE ROW | BCD T/S/L/Q/R |
| | <u>ALFAGREEN</u> | |
| | ALFAGREEN | AC |
| | <u>CENTRIFUGAL CONDENSER</u> | |
| | CENTRIFUGAL CONDENSER | CRI - CRC |
| | <u>ALFAGREEN II</u> | |
| | ALFAGREEN II | AG S/L/Q |
| | ALFAGREEN II (R410a) | AGH S/L/Q |
| | <u>ALFA - V</u> | |
| | ALFA - V | ACV T/S/L/Q/R |
| | <u>ALFA V SINGLE ROW</u> | |
| | ALFA V SINGLE ROW | VCM T/S/L/Q/R |
| DRY COOLERS | <u>ALFA BLUE</u> | |
| | AB SINGLE ROW | BDM T/S/L/Q/R |
| | AB DOUBLE ROW | BDD - BDD6 T/S/L/Q/R |
| | <u>ALFAGREEN II</u> | |
| | ALFAGREEN II | DG S/L/Q |
| | <u>ALFA - V</u> | |
| | ALFA - V | VDD - VDD6 T/S/L/Q/R |
| | <u>POWER FAN COOLERS</u> | |
| | BLUE POWER | BDP - BDP6 |
| | <u>ALFA BLUE REVERSE</u> | |
| | ALFABLUE SINGLE ROW | BRM T/S/L/Q |
| | ALFABLUE DOUBLE ROW | BRD - BRD6 T/S/L/Q |
| | ALFABLUE COMPACT | BRC T/S/L/Q |
| | <u>ALFA V SINGLE ROW</u> | |
| ALFA V SINGLE ROW | VDM T/S/L/Q/R | |



AlfaBlue Junior DG

Dry coolers – commercial range

General information & application

In addition to the well-proven AlfaBlue dry cooler line, the new generation of AlfaBlue Junior commercial dry coolers is a competitive product line of robust construction and high rigidity, that has every feature you need.

AlfaBlue Junior offers excellent performance especially at low air flow rates, allowing easy installation on site and an outstanding integration with other components. Highly efficient fan motors combine excellent sound characteristics and low energy consumption.

AlfaBlue Junior dry coolers are often used for cooling down condenser water in air-conditioning and refrigeration installations. In the processing industry, dry coolers are suitable for closed circuit cooling of various process liquids.

Coil

An innovative coil design based on 3/8" copper tubes and corrugated aluminium fins provides excellent heat transfer at minimal refrigerant charge. Standard fin spacing is 2.1 mm.

Casing

The coil frame is made from AlMn₃ for protection against vibration and thermal expansion. Casing material is galvanized steel sheet, pre-painted with an epoxy finish (RAL9002). Separated fan sections.

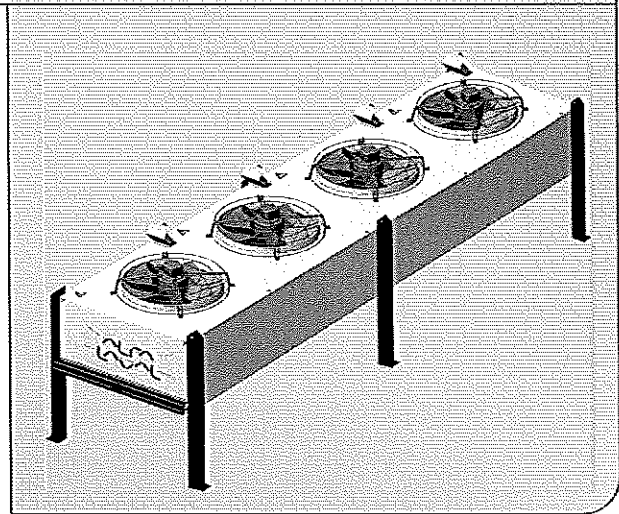
Fan motors

High efficiency fans with innovative polymeric fan blades and low power consumption. Available in two fan diameters (500 & 630 mm), different power supplies (230V, 400V, 50/60Hz) and four noise levels.

Protection class IP 54 according to DIN 40050. Integrated thermo contacts provide reliable protection against thermal overload (terminals in the box). Motors are wired to one or more common terminal boxes.

Options

- EC motors
- Non-standard power supply
- Fan motor switches
- Terminal box for electric power connection
- Fan speed control (230/1 and 400/3)



AlfaBlue Junior

- Pre-coated aluminium fins
- Special fin spacing (2.5 and 3.2 mm)
- Vibration dampers

Certifications

All dry cooler models are "Eurovent Certify All" certified. The Alfa Laval quality system is in accordance with ISO 9001. All products are manufactured according to CE and PED rules.

Test

Each heat exchanger undergoes a pressure and leak test with dry air at 10 barg. It is then supplied with a nitrogen pre-charge.

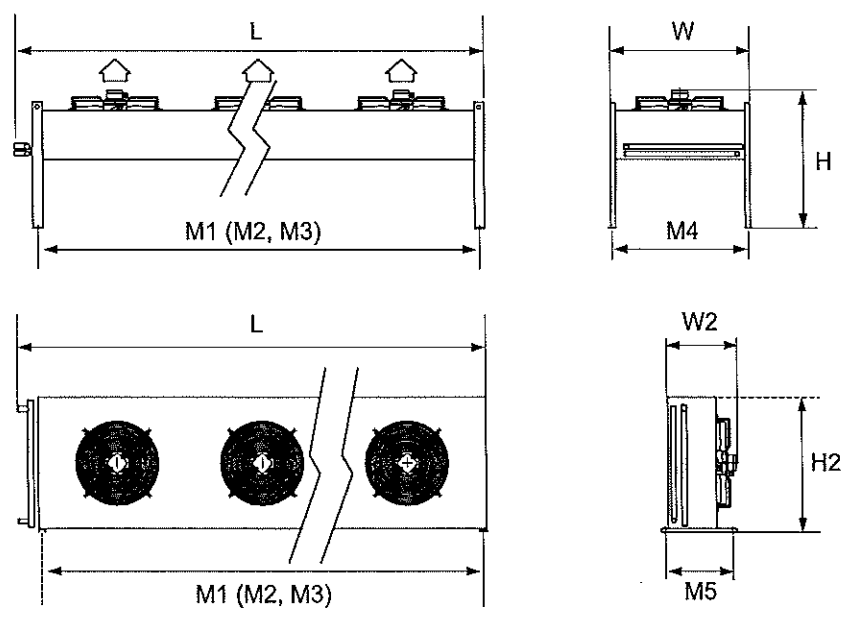
Selection

Please use our AlfaSelect Air selection software for dry cooler selection and RCPL pricing.

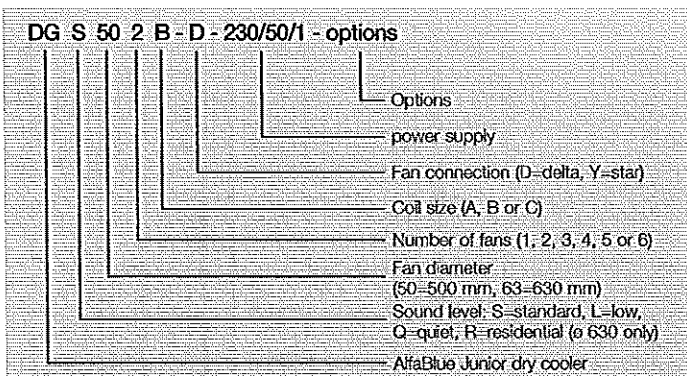


| Dimensions | | | | | | | | | | | | Weight | | |
|------------|------|------|------|------|------|-----|------|------|------|------|-----|--------|--------|--------|
| type | fans | L | H | W | H2 | W2 | M1 | M2 | M3 | M4 | M5 | Coil A | Coil B | Coil C |
| | | mm | mm | mm | mm | mm | mm | mm | mm | mm | mm | kg | kg | kg |
| DG*501 | 1 | 1105 | 846 | 868 | 828 | 428 | 940 | - | - | 868 | 420 | 121 | 126 | 132 |
| DG*502 | 2 | 2005 | 846 | 868 | 828 | 428 | 1840 | - | - | 868 | 420 | 227 | 236 | 245 |
| DG*503 | 3 | 2905 | 846 | 868 | 828 | 428 | 2740 | - | - | 868 | 420 | 329 | 346 | 360 |
| DG*504 | 4 | 3805 | 846 | 868 | 828 | 428 | 1800 | 1840 | - | 868 | 420 | - | 464 | 483 |
| DG*631 | 1 | 1335 | 1171 | 1210 | 1034 | 750 | 960 | - | - | 1105 | 660 | 83 | 89 | 95 |
| DG*632 | 2 | 2335 | 1171 | 1210 | 1034 | 750 | 1960 | - | - | 1105 | 660 | 166 | 168 | 180 |
| DG*633 | 3 | 3335 | 1171 | 1210 | 1034 | 750 | 2960 | - | - | 1105 | 660 | 229 | 247 | 265 |
| DG*634 | 4 | 4335 | 1171 | 1210 | 1034 | 750 | 1960 | 2000 | - | 1105 | 660 | 302 | 326 | 350 |
| DG*635 | 5 | 5335 | 1171 | 1210 | 1034 | 750 | 1960 | 1000 | 2000 | 1105 | 660 | 383 | 417 | 451 |
| DG*636 | 6 | 6335 | 1171 | 1210 | 1034 | 750 | 1960 | 2000 | 2000 | 1105 | 660 | 456 | 498 | 540 |

NOTE: weights for DG*6 are given for sound execution S (Standard).
Weights for executions L, Q & R are 92% of the given values.



Code description



Benefits

- Excellent sound characteristics, suitable for residential applications
- Reliable performance, Eurovent certified
- Easy installation & maintenance.
- Energy efficient - low total cost of ownership.
- Damage-proof packing in sturdy cardboard box on pallet. Bigger units in a crate and wrapped with plastic foil.
- Two-year product guarantee.

ERC00259EN 0907

Alfa Laval reserves the right to change specification without prior notification.

How to contact Alfa Laval
Up-to-date Alfa Laval contact details for all countries are always available on our website at www.alfalaval.com





DISSIPADORES SOLARES ALFABLUE JUNIOR

| Dissipadores de calor ALFA LAVAL | | 40% Prop. Glicol de 90 -> 77°C Tambiente = 35°C | | | |
|-------------------------------------|------------|--|----------|--------------|------------------|
| kW | Modelo | Caudal (m3/h) | PC (kPa) | Vent. X Pot. | Dim. (mm) |
| 8 | DGS401A/4 | 0,6 | 5,3 | 1 x 330 | 780 x 555 x 362 |
| 16 | DGS401A/4 | 1,2 | 17,9 | 1 x 330 | 780 x 555 x 362 |
| 24 | DGS401A/4 | 1,7 | 28,6 | 1 x 330 | 780 x 555 x 362 |
| 32 | DGS401B/8 | 2,3 | 15,4 | 1 x 330 | 780 x 555 x 362 |
| 40 | DGS402A/11 | 2,9 | 9 | 2 x 330 | 1380 x 555 x 362 |
| 48 | DGS402A/11 | 3,5 | 13,8 | 2 x 330 | 1380 x 555 x 362 |
| 56 | DGS501A/11 | 4 | 17,9 | 1 x 780 | 1140 x 830 x 530 |
| 64 | DGS501B/12 | 4,6 | 27 | 1 x 780 | 1140 x 830 x 530 |
| 72 | DGS501B/14 | 5,2 | 21,6 | 1 x 780 | 1140 x 830 x 530 |
| 80 | DGS501C/16 | 5,8 | 24,1 | 1 x 780 | 1140 x 830 x 530 |
| 96 | DGS502A/20 | 6,9 | 15,1 | 2 x 780 | 2040 x 830 x 530 |
| 112 | DGS502A/18 | 8,1 | 27,3 | 2 x 780 | 2040 x 830 x 530 |
| 120 | DGS502A/20 | 8,7 | 22,9 | 2 x 780 | 2040 x 830 x 530 |
| 144 | DGS502B/24 | 10,4 | 28,9 | 2 x 780 | 2040 x 830 x 530 |
| 160 | DGS502C/32 | 11,6 | 21 | 2 x 780 | 2040 x 830 x 530 |
| 184 | DGS503A/28 | 13,3 | 27,5 | 3 x 780 | 2940 x 830 x 530 |
| 200 | DGS503B/34 | 14,5 | 28,2 | 3 x 780 | 2940 x 830 x 530 |
| 224 | DGS503B/40 | 16,2 | 21,8 | 3 x 780 | 2940 x 830 x 530 |
| 240 | DGS503C/44 | 17,4 | 25,4 | 3 x 780 | 2940 x 830 x 530 |
| 264 | DGS504B/44 | 19,1 | 29,3 | 4 x 780 | 3840 x 830 x 530 |
| 288 | DGS504B/48 | 20,8 | 26,8 | 4 x 780 | 3840 x 830 x 530 |
| 320 | DGS504C/64 | 23,1 | 19,4 | 4 x 780 | 3840 x 830 x 530 |

Para modelo DGS40*

Por cada Motor Ziehl-Abegg

400V / III / 50 Hz

330 W / 0,6 A / 1430 rpm

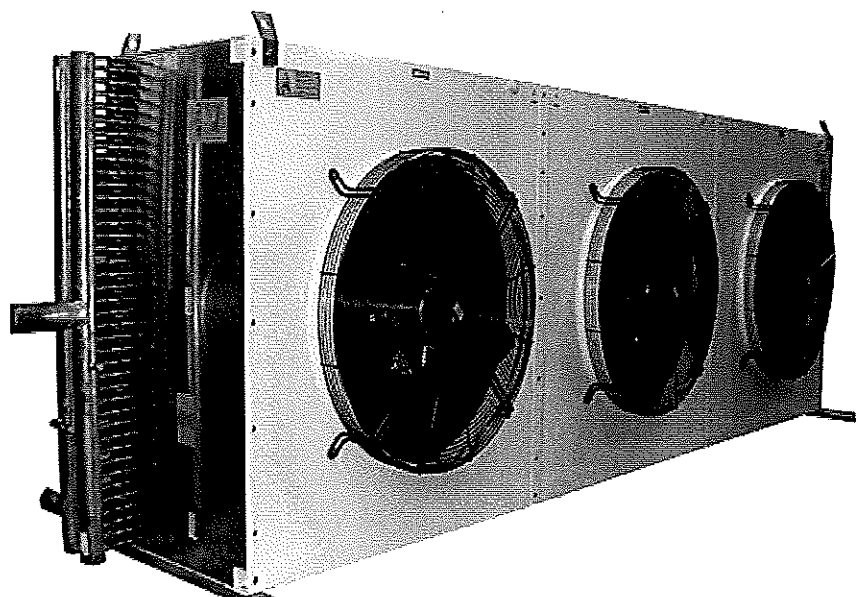
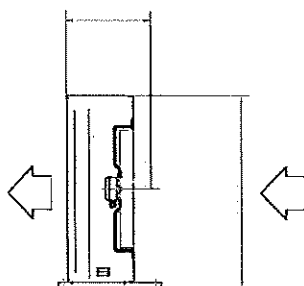
* Disponível na versão monofásica

Para modelo DGS50

Por cada Motor Ziehl-Abegg

400V / III / 50 Hz

780 W / 1,35 A / 1340 rpm



Para mais informação, contactar um distribuidor autorizado Alfa Laval ou os nossos escritórios: Tel.: 214166400, Fax: 214166444 ou marta.melo@alfalaval.com; ana.romao@alfalaval.com; jorge.periquito@alfalaval.com